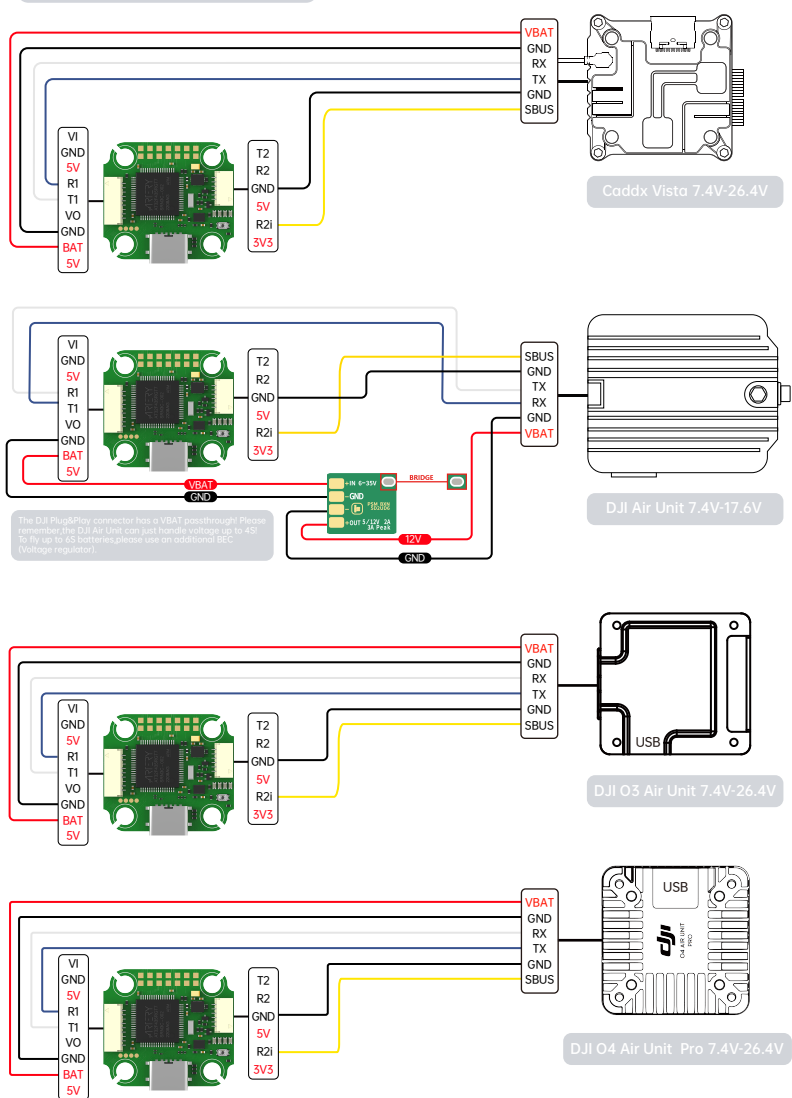


iFlight BLITZ MINI ATF435 Wiring Diagram

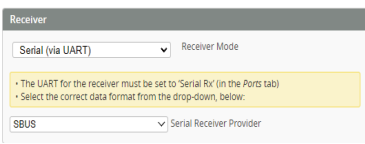


DJI Digital Transmitters

FC plug&play port and setup compatible to DJI Air Unit and Caddx Vista

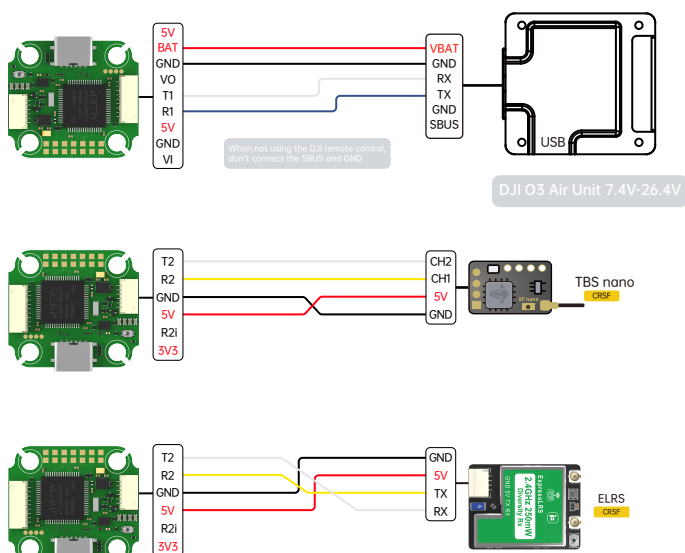


Identifier	Configuration/MSP	Serial Rx	Telemetry Output	Sensor Input	Peripherals
USB VCP	115200	Disabled	Disabled	AUTO	Disabled
UART1	115200	Disabled	Disabled	AUTO	Disabled
UART2	115200	Disabled	Disabled	AUTO	Disabled
UART3	115200	Disabled	Disabled	AUTO	Disabled
UART4	115200	Disabled	Disabled	AUTO	Disabled
UART5	115200	Disabled	Disabled	AUTO	Disabled
UART6	115200	Disabled	Disabled	AUTO	Disabled

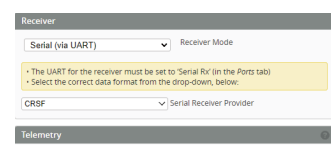


- To enable the air unit OSD under Betaflight 4.4 version, you need to select VTX (MSP+Displayport) in the peripheral port where the air unit signal is connected to the port interface.
- note: DJI FPV Remote Controller2 is for DJI O3 Air Unit DJI FPV Remote Controller is for DJI Air Unit and Vista
- Please check your protocols, otherwise your DJI Radio won't input signals! DJI Goggle protocol and Betaflight protocol has to match! For lower signal latency use the SBUS BAUD FAST protocol option on both ends.
- For Betaflight Copy Paste"set sbus baud fast=on"into your Betaflight Configurator CLI then hit enter. Use"save"and hit enter to save the changes. Default: sbus_baud_fast=off, Goggle protocol set to NORMAL

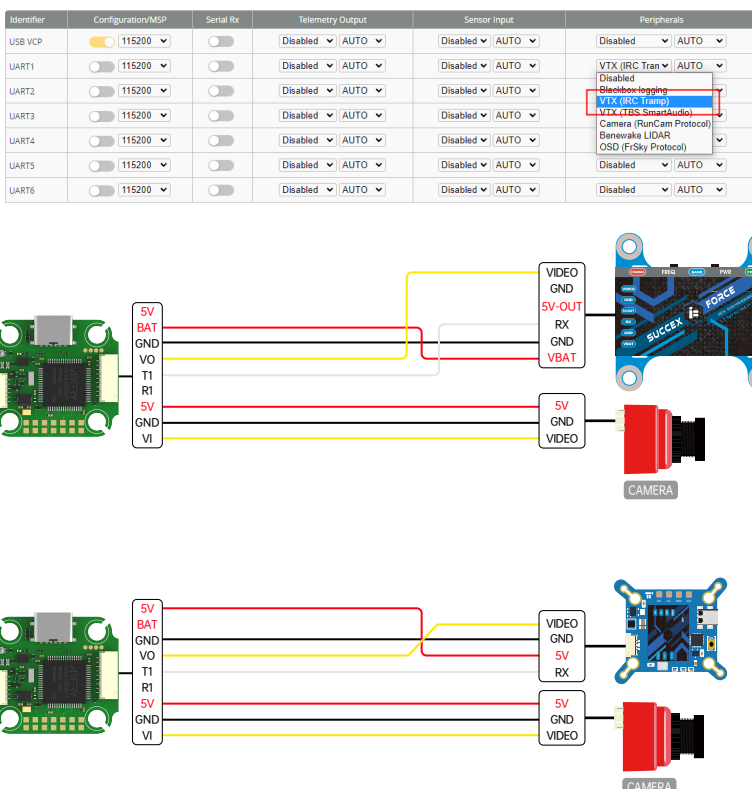
Any other Receiver



Identifier	Configuration/MSP	Serial Rx	Telemetry Output	Sensor Input	Peripherals
USB VCP	115200	Disabled	Disabled	AUTO	Disabled
UART1	115200	Disabled	Disabled	AUTO	Disabled
UART2	115200	Disabled	Disabled	AUTO	Disabled
UART3	115200	Disabled	Disabled	AUTO	Disabled
UART4	115200	Disabled	Disabled	AUTO	Disabled
UART5	115200	Disabled	Disabled	AUTO	Disabled
UART6	115200	Disabled	Disabled	AUTO	Disabled

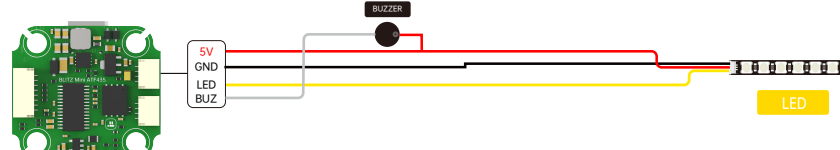


VTX/CAM

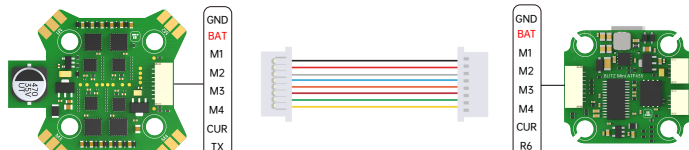


Identifier	Configuration/MSP	Serial Rx	Telemetry Output	Sensor Input	Peripherals
USB VCP	115200	Disabled	Disabled	AUTO	Disabled
UART1	115200	Disabled	Disabled	AUTO	Disabled
UART2	115200	Disabled	Disabled	AUTO	Disabled
UART3	115200	Disabled	Disabled	AUTO	Disabled
UART4	115200	Disabled	Disabled	AUTO	Disabled
UART5	115200	Disabled	Disabled	AUTO	Disabled
UART6	115200	Disabled	Disabled	AUTO	Disabled

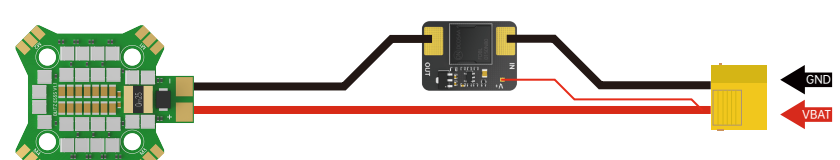
LED/BUZZER



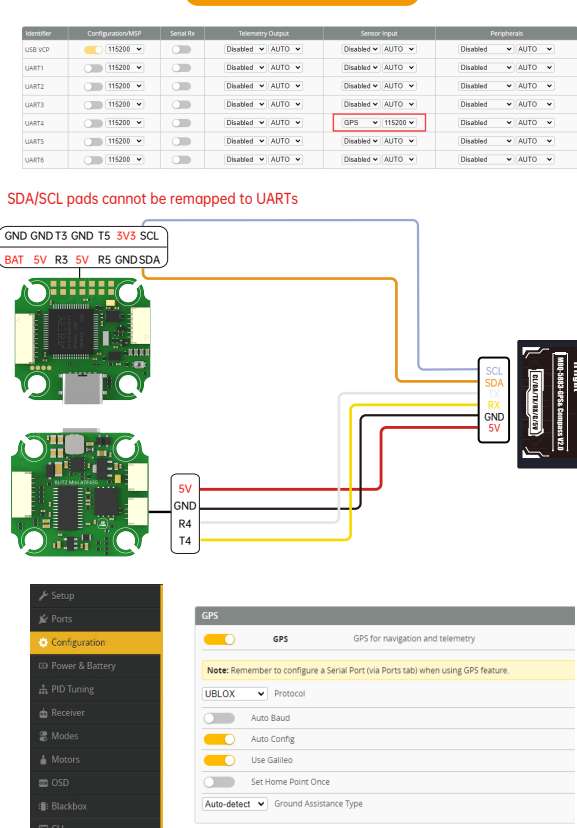
ESC



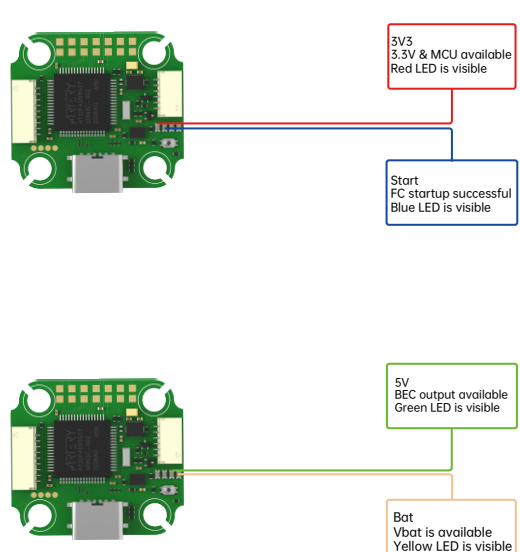
Anti-Spark filter



GPS



Status indicator



Note: Each LED indicates the status of your flight controller.